

Venture Lighting Ballast Brackets

Venture Lighting Ballasts are available with brackets.



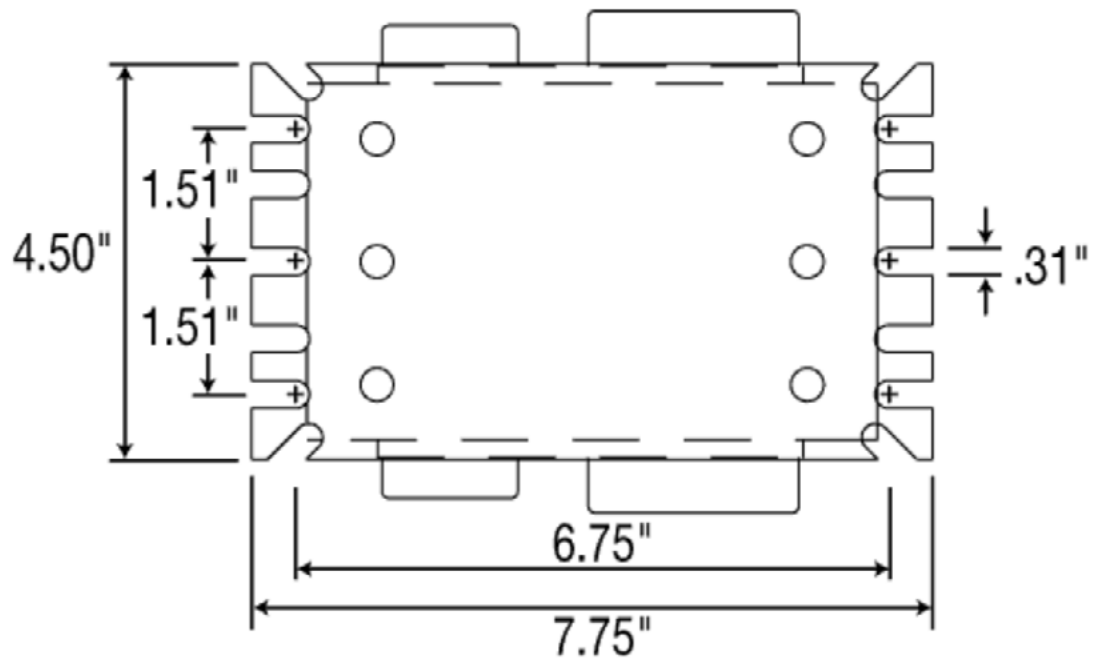
Core & Coil Welded Brackets

These brackets are supplied as an option by adding a "B" suffix to the ballast product number



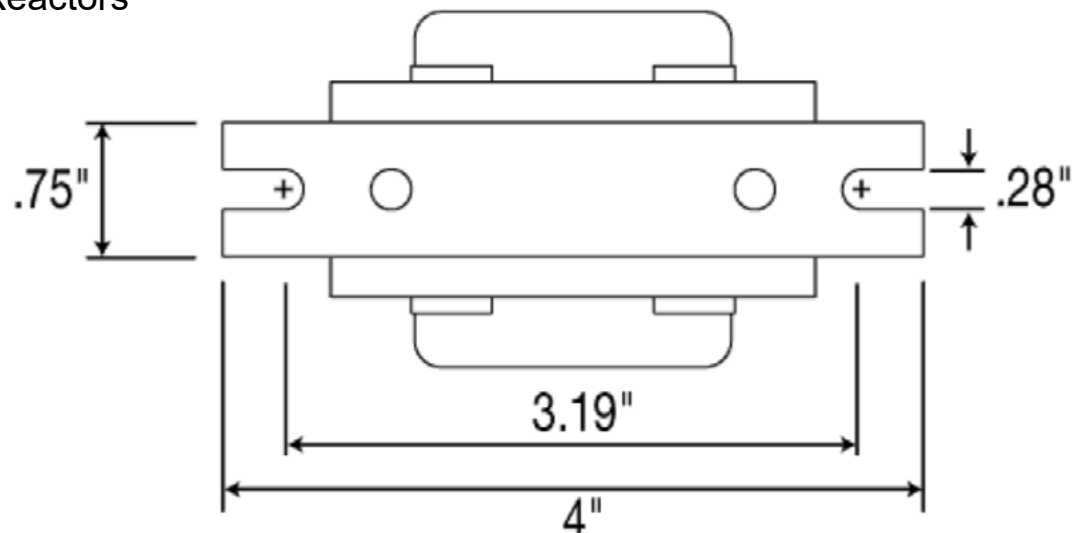
A: 1500-2000W

4 x 6 Core T&L



B: Small Core E&I Reactors

(3/4, 7/8, and 1 in)



Venture Lighting Ballast Brackets

Venture Lighting Ballasts are available with brackets.



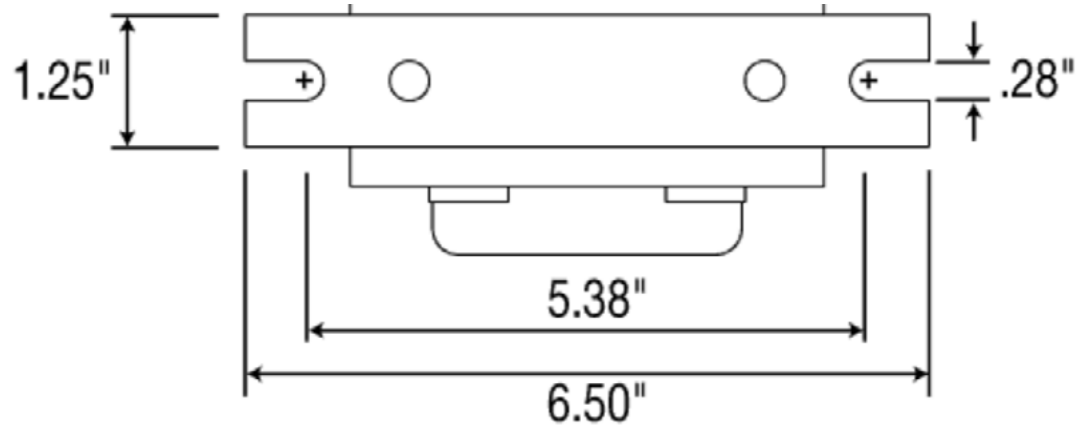
Core & Coil Welded Brackets

These brackets are supplied as an option by adding a "B" suffix to the ballast product number

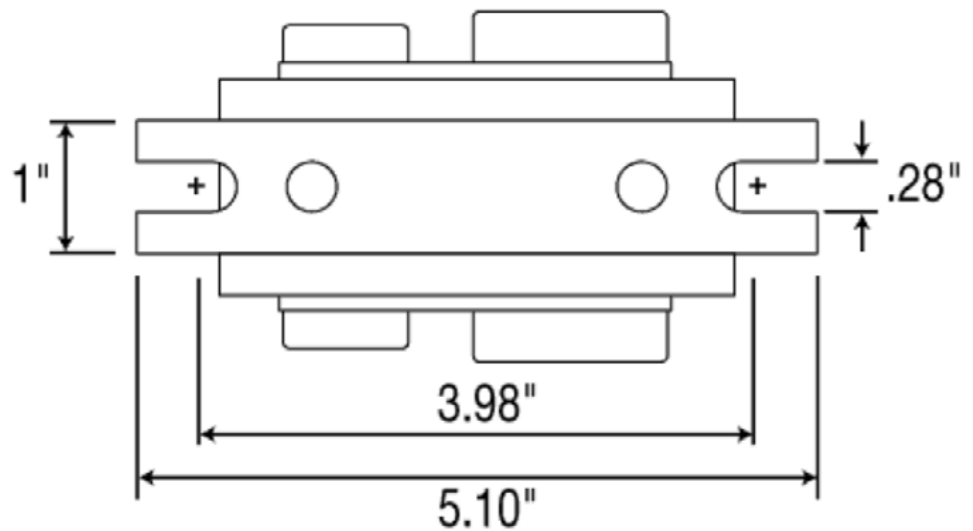
C: 4 x 4, 4 x 6 Core T&L

3.75 x 4.5 Core

E&I Reactors

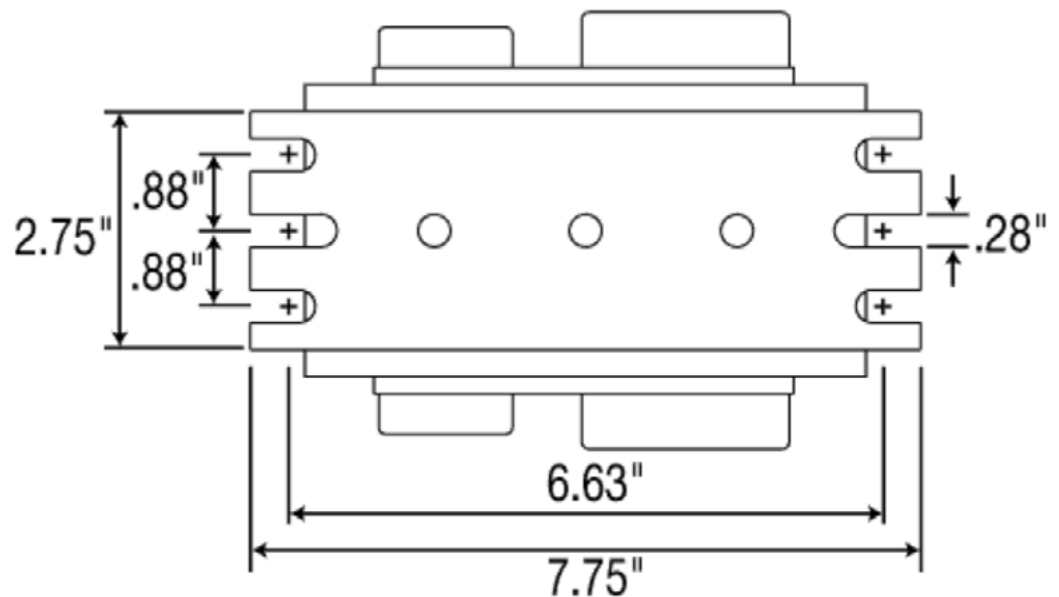


D: 3 x 4 Core T&L



E: 2 x 400W-1000W

4 x 6 Core T&L



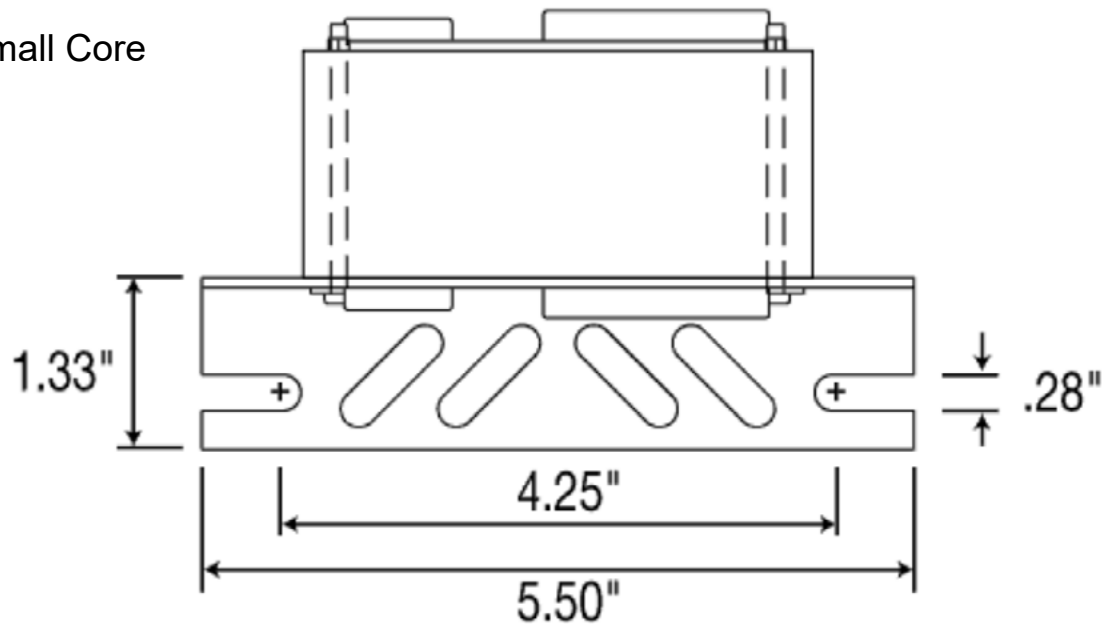
Venture Lighting Ballast Brackets

Venture Lighting Ballasts are available with brackets.

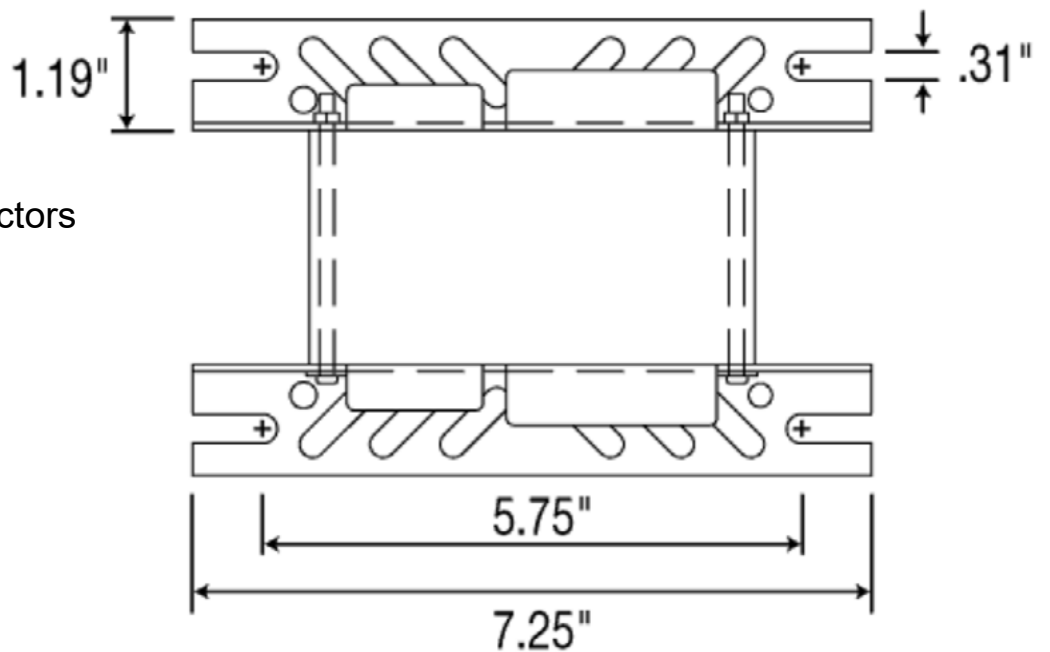
Core & Coil Mounting Bracket Kits

Mounting brackets along with appropriate hardware are supplied with "K" suffix ballast kits. BMA mounting bracket kits can also be ordered separately.

F: 3 x 4 Core T&L Small Core
 E&I Reactors
 (3/4, 7/8, and 1 in)



G: 4 x 4, 4 x 6 Core T&L
 3.75 x 4.5 Core E&I Reactors



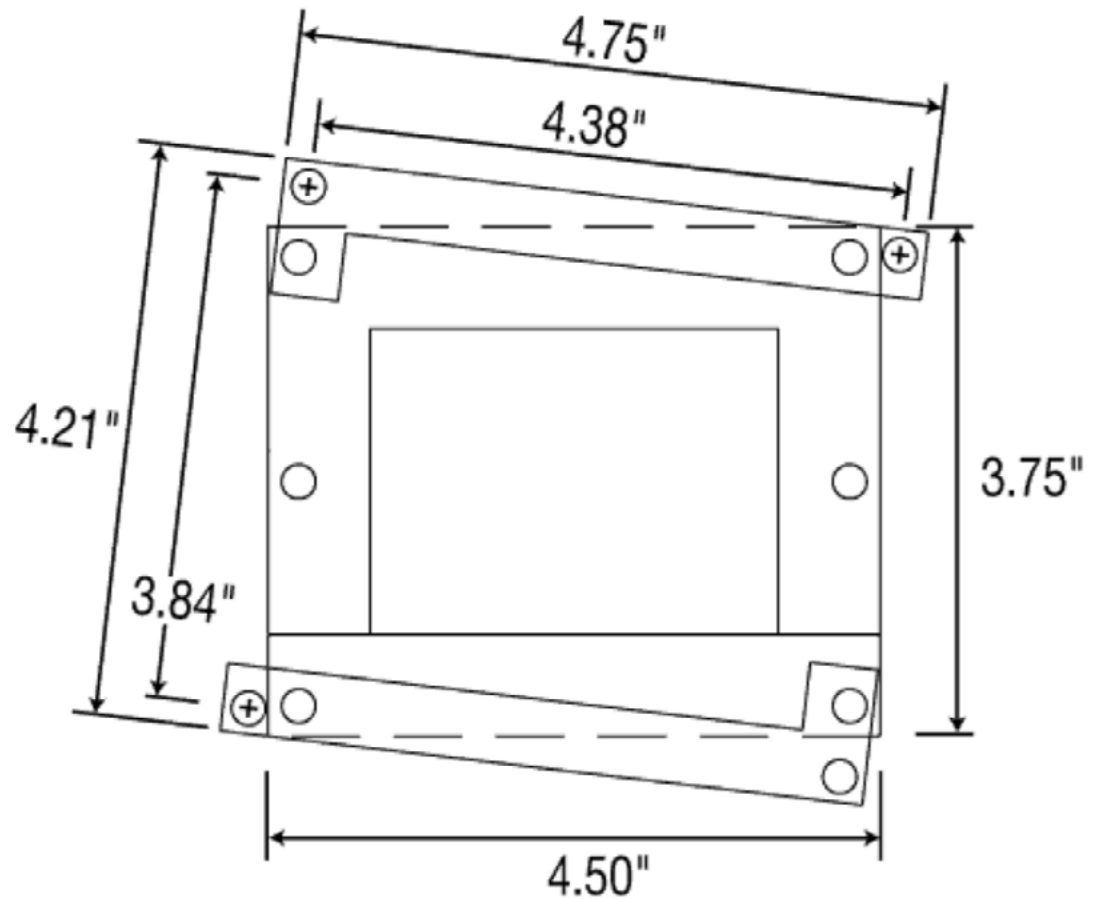
Venture Lighting Ballast Brackets

Venture Lighting Ballasts are available with brackets.

Core & Coil Adapter Mounting Bracket Kits

These brackets along with appropriate hardware are available in kits

H: BCK-015 To mount 3.75 x 4.5 Core E&I Reactors in fixtures with a 4 x 4 T&L footprint



Venture Lighting Ballast Brackets

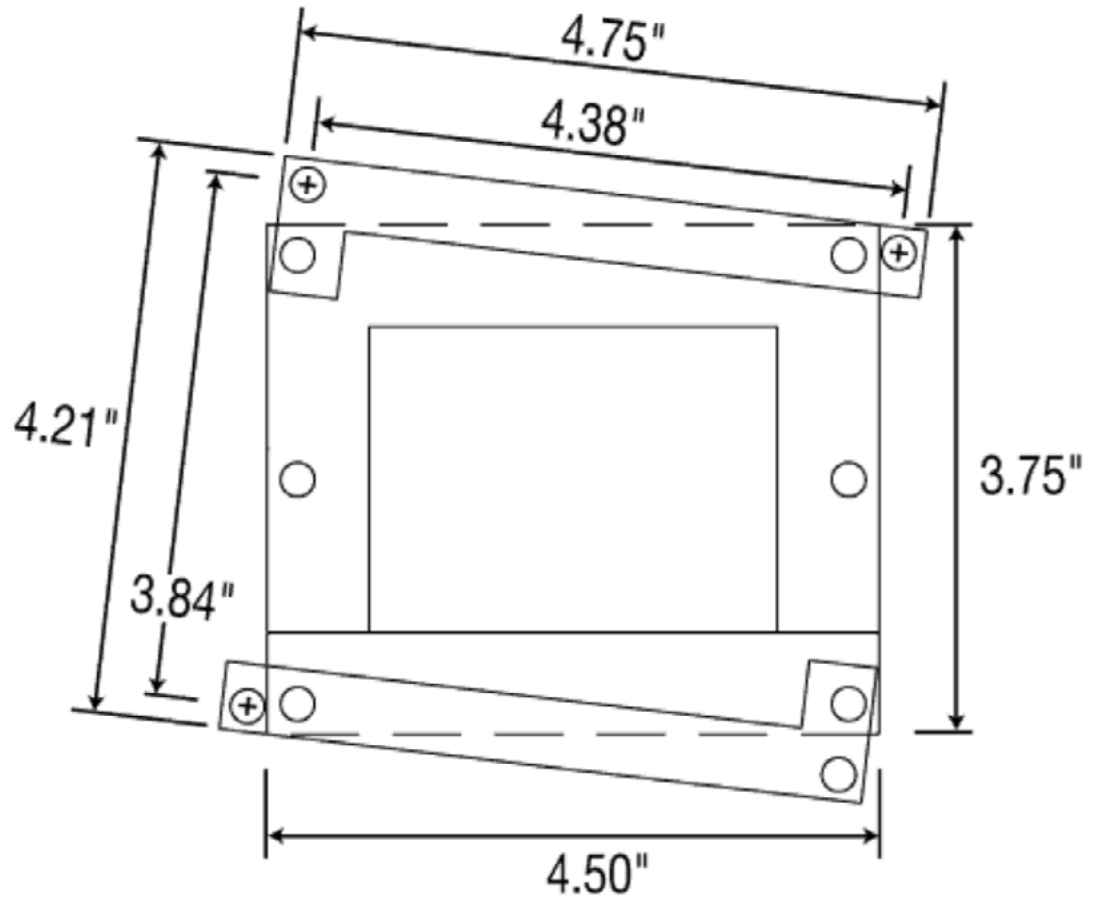
Venture Lighting Ballasts are available with brackets.



Core & Coil Adapter Mounting Bracket Kits

These brackets along with appropriate hardware are available in kits

I: BCK-016 To mount 1 in Core E&I Reactors in fixtures with a 3 x 4 T&L footprint



Venture Lighting Ballast Brackets

Venture Lighting Ballasts are available with brackets.

Core & Coil Adapter Mounting Bracket Kits

These brackets along with appropriate hardware are available in kits

J: BCK-017 To mount 3.75 x 4.5 Core E&I Reactors in fixtures with a 4 x 6 T&L footprint

