



# IGNITOR SPECIFICATION

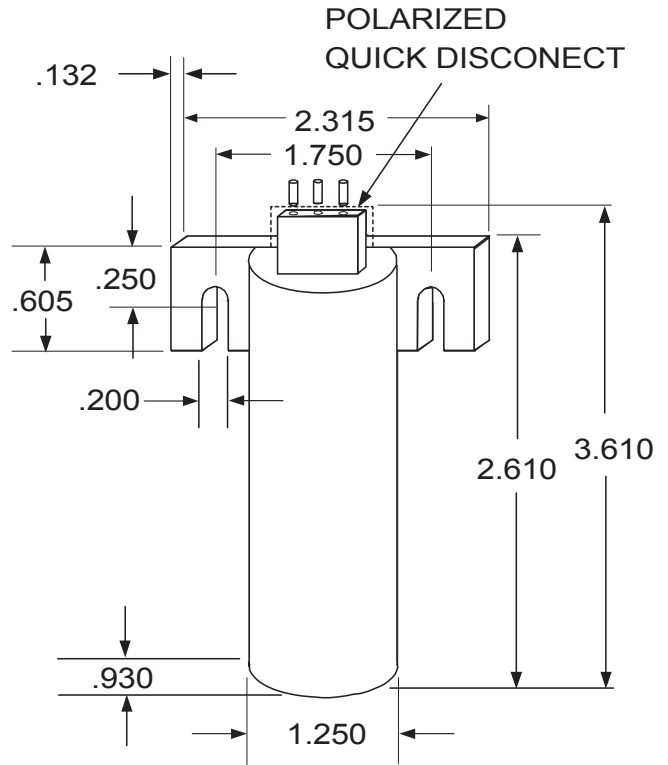
Part Number: BVS-005-REPL  
BMS-005-REPL

## 200-430W HPS IMP Ignitor with Quick Connect & Harness



<b>Maximum Case Temperature:</b>	105°C
<b>Peak Voltage:</b>	2500-4000
<b>Case Height:</b>	2.61 IN
<b>Case Diameter:</b>	1.25 IN
<b>Case Width:</b>	0.93 IN

Refer to the applicable ballast spec for the wiring diagram and ballast to lamp (BTL) mounting distance.



Data is based upon tests performed by Venture Lighting in a controlled environment and is representative of relative performance. Actual performance can vary depending on operating conditions. Specifications are subject to change without notice.