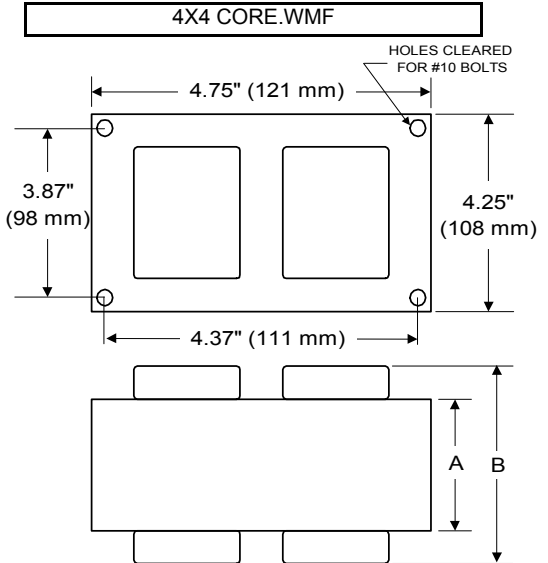




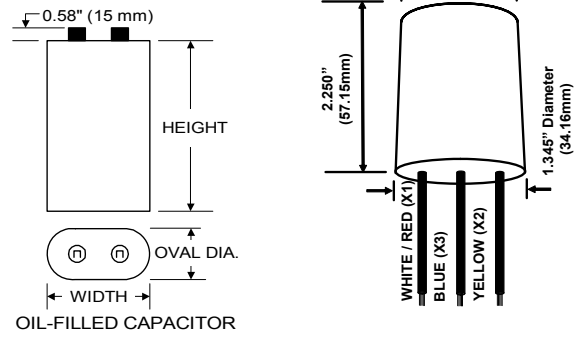
**BALLAST SPECIFICATION**

**575W M178**  
**Pulse Start Metal Halide**  
**V90AM5510**  
**60 Hz CWA C&C**

<b>Input Volts</b>	120	208	240	277	480
<b>Line Current (Amps)</b>					
Operating	5.65	3.30	2.85	2.45	1.45
Open Circuit	2.70	1.65	1.40	1.20	0.75
Starting	5.10	3.00	2.60	2.25	1.30
<b>Recommended Fuse (Amps)</b>	15	8	7	6	4
<b>Regulation</b>					
Line Volts	±10%	±10%	±10%	±10%	±10%
Lamp Watts	±10%	±10%	±10%	±10%	±10%
<b>Temperature Ratings</b>					
Insulation Class	180 (H)	180 (H)	180 (H)	180 (H)	180 (H)
Coil Temperature Code	A	A	A	A	C
Benchtop Coil Rise	62.4	66.8	66.1	70.7	83.8
<b>Power Factor (%)</b> HPF	90	90	90	90	90
<b>Input Watts</b>	630 W	630 W	630 W	630 W	630 W
<b>Efficiency</b>	91.0%	91.0%	91.0%	91.0%	91.0%
<b>NOM. Open Circuit Voltage</b>	285	285	285	285	285
<b>Input Voltage At Lamp Dropout</b>	70	120	130	150	245
<b>Min Ambient Starting Temp</b>	-20°F/-30°C*	-20°F/-30°C*	-20°F/-30°C*	-20°F/-30°C*	-20°F/-30°C*
<b>60 HZ TEST PROCEDURES</b>					
<b>High Potential Test (Volts)</b>					
1 Minute	2,000 V	2,000 V	2,000 V	2,000 V	2,000 V
1 Second	2,400 V	2,400 V	2,400 V	2,400 V	2,400 V
<b>Open Circuit Voltage Test (V)</b>	255 - 310	255 - 310	255 - 310	255 - 310	255 - 310
<b>Short Circuit Current Test (A)</b>					
Secondary Current					
Min	5.20	5.20	5.20	5.20	5.20
Max	6.35	6.35	6.35	6.35	6.35
Input Current					
Min	4.10	2.40	2.05	1.80	1.05
Max	6.10	3.55	3.10	2.70	1.55
<b>CORE and COIL Specifications</b>					
Dimension (A)	2.90 in	2.90 in	2.90 in	2.90 in	2.90 in
Dimension (B)	4.95 in	4.95 in	4.95 in	4.95 in	4.95 in
Weight	16.8 lb's	16.8 lb's	16.8 lb's	16.8 lb's	16.8 lb's
Lead Lengths	12"	12"	12"	12"	12"
<b>Capacitor Requirement</b>					
Microfarads	38.0 uf	38.0 uf	38.0 uf	38.0 uf	38.0 uf
Volts (Min)	400 V	400 V	400 V	400 V	400 V



<b>Capacitor:</b>	ACB3420V	<b>Ignitor:</b>	BVS-041
Microfarads:	38.0 uf	Case Temp (Max):	105 °C
Volts (Max):	400 V	BTL Distance (Max)	2 ft
Case Temp (Max)	100 °C		
Height (Max):	4.03 in		
Dia (Max):	1.97 in		
Oval Width (Max):	2.97 in		



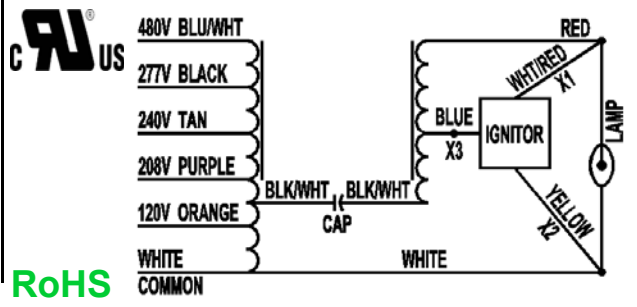
**Ordering Information** Add Suffix for options  
 K - Prewired, with Oil-Filled Capacitor and Bracket Kit

\* -40°F/-40°C Min Ambient Starting Temp with Venture Lamp

Data is based upon tests performed by Venture Lighting in a controlled environment and is representative of relative performance. Actual performance can vary depending on operating conditions. Specifications are subject to change without notice.

**08/25/2022 Production** Coil Material (PRI/SEC): Cu-Al / Cu

*Complies with the Energy Independence and Security Act of 2007 and California Title 20 Appliance Efficiency Regulations*



**RoHS**