



**BALLAST SPECIFICATION**

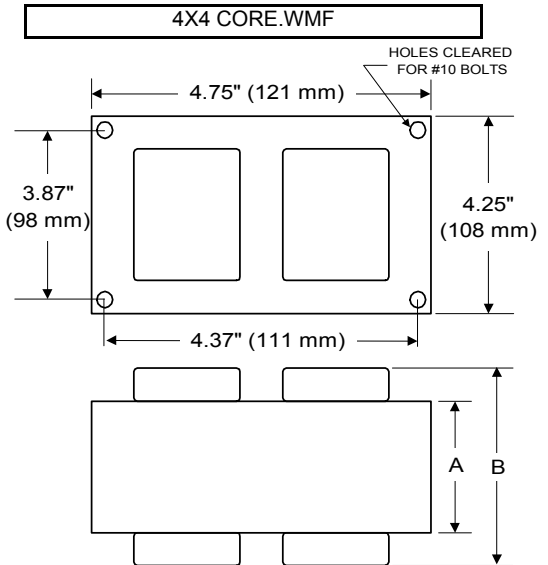
**400W M135 / M155**

**Pulse Start Metal Halide**

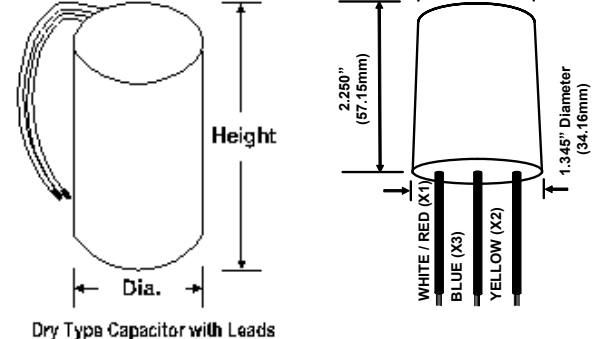
**V90AM7610**

**60 Hz CWA C&C**

|                                       |              |              |              |              |              |
|---------------------------------------|--------------|--------------|--------------|--------------|--------------|
| <b>Input Volts</b>                    | 120          | 208          | 240          | 277          | 480          |
| <b>Line Current (Amps)</b>            |              |              |              |              |              |
| Operating                             | 3.70         | 2.15         | 1.85         | 1.65         | 1.00         |
| Open Circuit                          | 1.85         | 1.10         | 0.95         | 0.85         | 0.50         |
| Starting                              | 3.25         | 1.90         | 1.65         | 1.45         | 0.85         |
| <b>Recommended Fuse (Amps)</b>        | 10           | 6            | 5            | 5            | 3            |
| <b>Regulation</b>                     |              |              |              |              |              |
| Line Volts                            | ±10%         | ±10%         | ±10%         | ±10%         | ±10%         |
| Lamp Watts                            | ±10%         | ±10%         | ±10%         | ±10%         | ±10%         |
| <b>Temperature Ratings</b>            |              |              |              |              |              |
| Insulation Class                      | 180 (H)      | 180 (H)      | 180 (H)      | 180 (H)      | 180 (H)      |
| Coil Temperature Code                 | A            | A            | A            | B            | C            |
| Benchtop Coil Rise                    | 63.7         | 69.0         | 70.9         | 75.7         | 83.7         |
| <b>Power Factor (%)</b> HPF           | 90           | 90           | 90           | 90           | 90           |
| <b>Input Watts</b>                    | 443 W        | 443 W        | 443 W        | 443 W        | 443 W        |
| <b>Efficiency</b>                     | 90.3%        | 90.3%        | 90.3%        | 90.3%        | 90.3%        |
| <b>NOM. Open Circuit Voltage</b>      | 250          | 250          | 250          | 250          | 250          |
| <b>Input Voltage At Lamp Dropout</b>  | 80           | 135          | 150          | 170          | 295          |
| <b>Min Ambient Starting Temp</b>      | -20°F/-30°C* | -20°F/-30°C* | -20°F/-30°C* | -20°F/-30°C* | -20°F/-30°C* |
| <b>60 HZ TEST PROCEDURES</b>          |              |              |              |              |              |
| <b>High Potential Test (Volts)</b>    |              |              |              |              |              |
| 1 Minute                              | 2,000 V      | 2,000 V      | 2,000 V      | 2,000 V      | 2,000 V      |
| 1 Second                              | 2,400 V      | 2,400 V      | 2,400 V      | 2,400 V      | 2,400 V      |
| <b>Open Circuit Voltage Test (V)</b>  | 225 - 270    | 225 - 270    | 225 - 270    | 225 - 270    | 225 - 275    |
| <b>Short Circuit Current Test (A)</b> |              |              |              |              |              |
| Secondary Current                     |              |              |              |              |              |
| Min                                   | 3.40         | 3.40         | 3.40         | 3.40         | 3.40         |
| Max                                   | 4.20         | 4.20         | 4.20         | 4.20         | 4.20         |
| Input Current                         |              |              |              |              |              |
| Min                                   | 2.55         | 1.40         | 1.30         | 1.15         | 0.65         |
| Max                                   | 3.85         | 2.05         | 1.90         | 1.70         | 1.00         |
| <b>CORE and COIL Specifications</b>   |              |              |              |              |              |
| Dimension (A)                         | 1.92 in      | 1.92 in      | 1.92 in      | 1.92 in      | 1.92 in      |
| Dimension (B)                         | 4.10 in      | 4.10 in      | 4.10 in      | 4.10 in      | 4.10 in      |
| Weight                                | 12.0 lb's    | 12.0 lb's    | 12.0 lb's    | 12.0 lb's    | 12.0 lb's    |
| Lead Lengths                          | 12 "         | 12 "         | 12 "         | 12 "         | 12 "         |
| <b>Capacitor Requirement</b>          |              |              |              |              |              |
| Microfarads                           | 26.0 uf      | 26.0 uf      | 26.0 uf      | 26.0 uf      | 26.0 uf      |
| Volts (Min)                           | 345 V        | 345 V        | 345 V        | 345 V        | 345 V        |



|                   |         |                    |         |
|-------------------|---------|--------------------|---------|
| <b>Capacitor:</b> | ACG278  | <b>Ignitor:</b>    | BVS-041 |
| Microfarads:      | 26.0 uf | Case Temp (Max):   | 105 °C  |
| Volts (Max):      | 400 V   | BTL Distance (Max) | 2 ft    |
| Case Temp (Max)   | 100 °C  |                    |         |
| Height (Max):     | 4.80 in |                    |         |
| Dia (Max):        | 1.80 in |                    |         |
| Oval Width (Max): |         |                    |         |



**Ordering Information**      Add Suffix for options

C - With Dry Capacitor

CB - With Dry Capacitor and Welded Bracket

B - With Welded Bracket, no Capacitor

K - Prewired, with Dry Capacitor and Bracket Kit

\* -40°F/-40°C Min Ambient Starting Temp with Venture Lamp

Data is based upon tests performed by Venture Lighting in a controlled environment and is representative of relative performance. Actual performance can vary depending on operating conditions. Specifications are subject to change without notice.

**08/25/2022      Production**      Coil Material (PRI/SEC): Cu-Al / Cu

