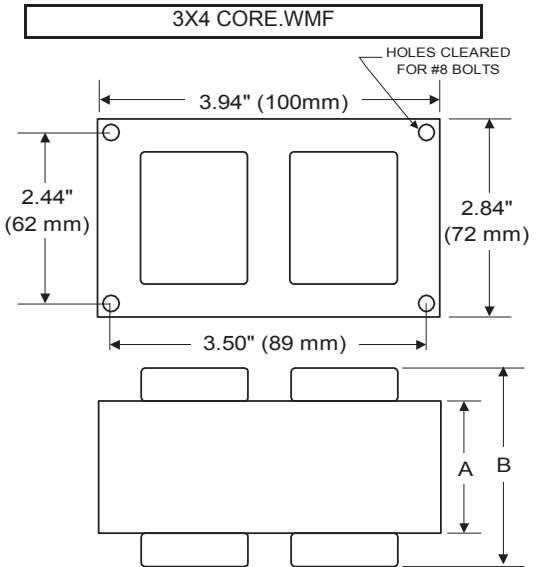




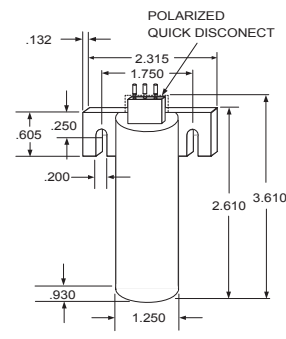
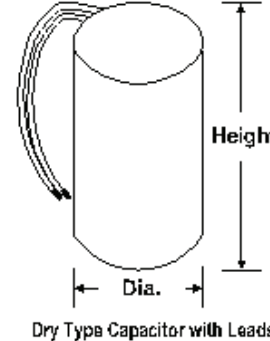
BALLAST SPECIFICATION

150W S55
High Pressure Sodium
V90C1454
60 Hz CWI C&C

Input Volts	120	208	240
Line Current (Amps)			
Operating	1.70	1.00	0.85
Open Circuit	0.80	0.50	0.40
Starting	1.00	0.60	0.50
Recommended Fuse (Amps)	5	3	3
Regulation			
Line Volts	±10%	±10%	±10%
Lamp Watts	±10%	±10%	±10%
Temperature Ratings			
Insulation Class	180 (H)	180 (H)	180 (H)
Coil Temperature Code	B	A	A
Benchtop Coil Rise	79.0	74.2	73.8
Power Factor (%) HPF	90	90	90
Input Watts	190 W	190 W	190 W
Efficiency	78.0%	78.0%	78.0%
NOM. Open Circuit Voltage	120	120	120
Input Voltage At Lamp Dropout	90	155	180
Min Ambient Starting Temp	-40°F/-40°C	-40°F/-40°C	-40°F/-40°C
60 HZ TEST PROCEDURES			
High Potential Test (Volts)			
1 Minute	1,500 V	1,500 V	1,500 V
1 Second	1,800 V	1,800 V	1,800 V
Open Circuit Voltage Test (V)	105 - 135	105 - 135	105 - 135
Short Circuit Current Test (A)			
Secondary Current	Min 3.95 Max 4.85	Min 3.95 Max 4.85	Min 3.95 Max 4.85
Input Current	Min 0.50 Max 0.80	Min 0.30 Max 0.45	Min 0.25 Max 0.40
CORE and COIL Specifications			
Dimension (A)	3.15 in	3.15 in	3.15 in
Dimension (B)	4.60 in	4.60 in	4.60 in
Weight	9.5 lb's	9.5 lb's	9.5 lb's
Lead Lengths	12 "	12 "	12 "
Capacitor Requirement			
Microfarads	51.0 uf	51.0 uf	51.0 uf
Volts (Min)	180 V	180 V	180 V



Capacitor:	ACG240	Ignitor:	BVS-006
Microfarads:	51.0 uf	Case Temp (Max):	105 °C
Volts (Max):	280 V	BTL Distance (Max)	5 ft
Case Temp (Max)	100 °C		
Height (Max):	4.80 in		
Dia (Max):	1.80 in		
Oval Width (Max):			



Ordering Information Add Suffix for options
 C - With Dry Capacitor
 CB - With Dry Capacitor and Welded Bracket
 B - With Welded Bracket, no Capacitor
 K - Prewired, with Dry Capacitor and Bracket Kit

Data is based upon tests performed by Venture Lighting in a controlled environment and is representative of relative performance. Actual performance can vary depending on operating conditions. Specifications are subject to change without notice.

08/25/2022 **Production** Coil Material (PRI/SEC): Cu / Cu



RoHS

