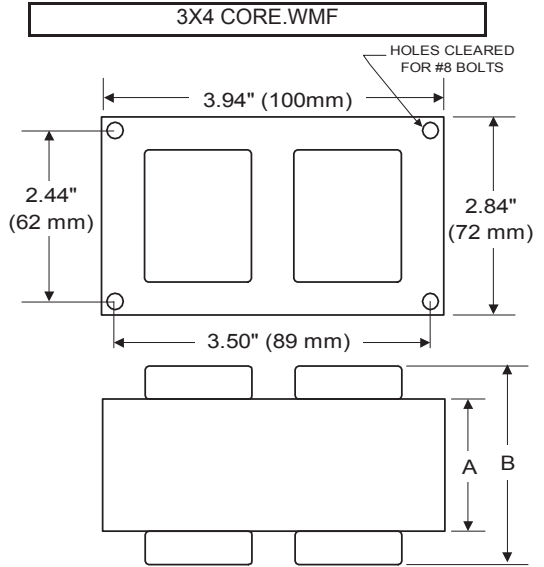




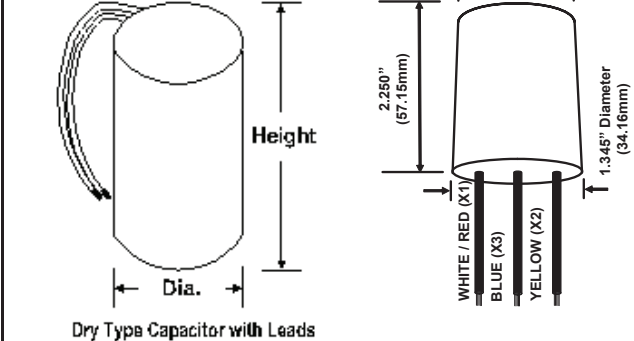
BALLAST SPECIFICATION

150W M102
Pulse Start Metal Halide
V90D7130
60 Hz HX C&C

Input Volts	120	208	240	277
Line Current (Amps)				
Operating	1.65	1.00	0.80	0.70
Open Circuit	3.50	2.15	1.75	1.55
Starting	1.70	0.85	0.70	0.65
Recommended Fuse (Amps)	9	6	5	4
Regulation				
Line Volts	±5%	±5%	±5%	±5%
Lamp Watts	±10%	±10%	±10%	±10%
Temperature Ratings				
Insulation Class	180 (H)	180 (H)	180 (H)	180 (H)
Coil Temperature Code	D	D	C	D
Benchtop Coil Rise	85.7	85.1	83.7	87.1
Power Factor (%) HPF	90	90	90	90
Input Watts	182 W	182 W	182 W	182 W
Efficiency	82.4%	82.4%	82.4%	82.4%
NOM. Open Circuit Voltage	260	260	260	260
Input Voltage At Lamp Dropout	75	120	150	170
Min Ambient Starting Temp	-20°F/-30°C*	-20°F/-30°C*	-20°F/-30°C*	-20°F/-30°C*
60 HZ TEST PROCEDURES				
High Potential Test (Volts)				
1 Minute	1,600 V	1,600 V	1,600 V	1,600 V
1 Second	1,900 V	1,900 V	1,900 V	1,900 V
Open Circuit Voltage Test (V)	230 - 290	230 - 290	230 - 290	230 - 290
Short Circuit Current Test (A)				
Secondary Current				
Min	2.10	2.10	2.10	2.10
Max	2.60	2.60	2.60	2.60
Input Current				
Min	1.25	0.75	0.60	0.55
Max	1.85	1.10	0.90	0.85
CORE and COIL Specifications				
Dimension (A)	2.25 in	2.25 in	2.25 in	2.25 in
Dimension (B)	3.80 in	3.80 in	3.80 in	3.80 in
Weight	7.4 lb's	7.4 lb's	7.4 lb's	7.4 lb's
Lead Lengths	12 "	12 "	12 "	12 "
Capacitor Requirement				
Microfarads	16.0 uf	16.0 uf	16.0 uf	16.0 uf
Volts (Min)	280 V	280 V	280 V	280 V



Capacitor:	ACG301	Ignitor:	BVS-032
Microfarads:	16.0 uf	Case Temp (Max):	105 °C
Volts (Max):	330 V	BTL Distance (Max)	5 ft
Case Temp (Max)	100 °C		
Height (Max):	2.76 in		
Dia (Max):	1.61 in		
Oval Width (Max):			



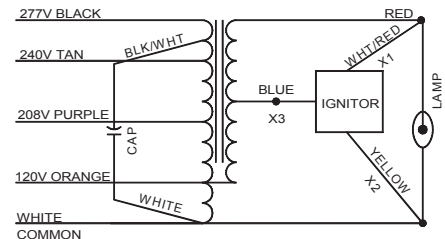
Ordering Information Add Suffix for options

K - Prewired, with Dry Capacitor and Bracket Kit

* -40°F/-40°C Min Ambient Starting Temp with Venture Lamp

Data is based upon tests performed by Venture Lighting in a controlled environment and is representative of relative performance. Actual performance can vary depending on operating conditions. Specifications are subject to change without notice.

Complies with the Energy Independence and Security Act of 2007 and California Title 20 Appliance Efficiency Regulations
MEETS TEMPERATURE EXCLUSION OF PL 110-140



RoHS

08/30/2022 Production Coil Material (PRI/SEC): Cu / Cu