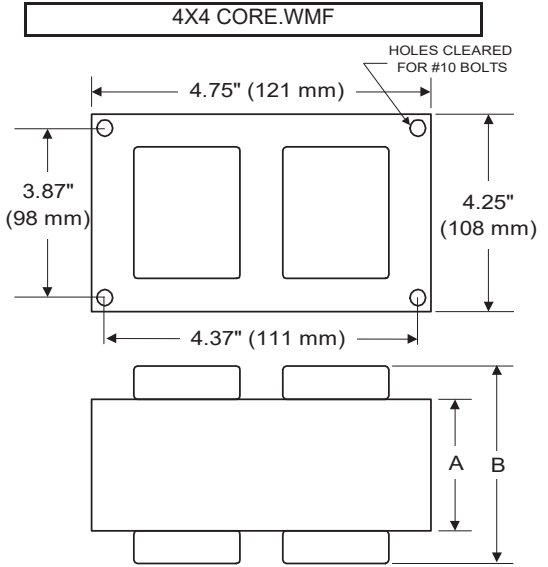




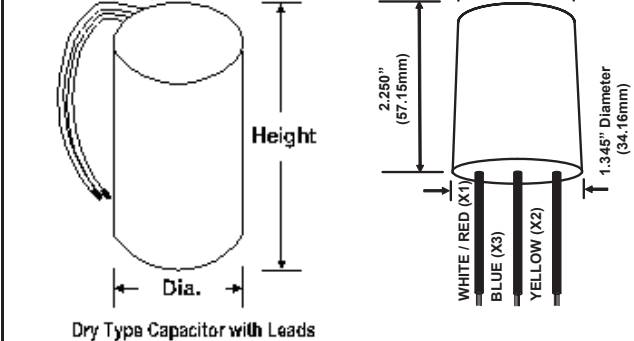
BALLAST SPECIFICATION

350W M131
Pulse Start Metal Halide
V90D7513
60 Hz CWA C&C

Input Volts	120	208	240	277
Line Current (Amps)				
Operating	3.45	1.95	1.75	1.50
Open Circuit	1.60	0.90	0.80	0.70
Starting	3.10	1.80	1.55	1.35
Recommended Fuse (Amps)	9	6	5	4
Regulation				
Line Volts	±10%	±10%	±10%	±10%
Lamp Watts	±10%	±10%	±10%	±10%
Temperature Ratings				
Insulation Class	180 (H)	180 (H)	180 (H)	180 (H)
Coil Temperature Code	A	C	D	D
Benchtop Coil Rise	74.8	83.1	85.7	86.0
Power Factor (%) HPF	90	90	90	90
Input Watts	398 W	398 W	398 W	398 W
Efficiency	88.0%	88.0%	88.0%	88.0%
NOM. Open Circuit Voltage	245	245	245	245
Input Voltage At Lamp Dropout	80	145	150	170
Min Ambient Starting Temp	-20°F/-30°C*	-20°F/-30°C*	-20°F/-30°C*	-20°F/-30°C*
60 HZ TEST PROCEDURES				
High Potential Test (Volts)				
1 Minute	1,600 V	1,600 V	1,600 V	1,600 V
1 Second	1,900 V	1,900 V	1,900 V	1,900 V
Open Circuit Voltage Test (V)	220 - 270	220 - 270	220 - 270	220 - 270
Short Circuit Current Test (A)				
Secondary Current				
Min	3.15	3.15	3.15	3.15
Max	3.85	3.85	3.85	3.85
Input Current				
Min	2.45	1.40	1.25	1.05
Max	3.65	2.10	1.85	1.60
CORE and COIL Specifications				
Dimension (A)	1.92 in	1.92 in	1.92 in	1.92 in
Dimension (B)	4.00 in	4.00 in	4.00 in	4.00 in
Weight	9.5 lb's	9.5 lb's	9.5 lb's	9.5 lb's
Lead Lengths	12 "	12 "	12 "	12 "
Capacitor Requirement				
Microfarads	24.0 uf	24.0 uf	24.0 uf	24.0 uf
Volts (Min)	330 V	330 V	330 V	330 V



Capacitor:	ACG247	Ignitor:	BVS-041
Microfarads:	24.0 uf	Case Temp (Max):	105 °C
Volts (Max):	400 V	BTL Distance (Max):	2 ft
Case Temp (Max):	100 °C		
Height (Max):	4.67 in		
Dia (Max):	1.80 in		
Oval Width (Max):			



Ordering Information Add Suffix for options

K - Prewired, with Dry Capacitor and Bracket Kit

* -40°F/-40°C Min Ambient Starting Temp with Venture Lamp

Data is based upon tests performed by Venture Lighting in a controlled environment and is representative of relative performance. Actual performance can vary depending on operating conditions. Specifications are subject to change without notice.

08/30/2022 Production Coil Material (PRI/SEC): AI / AI



RoHS

