



BALLAST SPECIFICATION

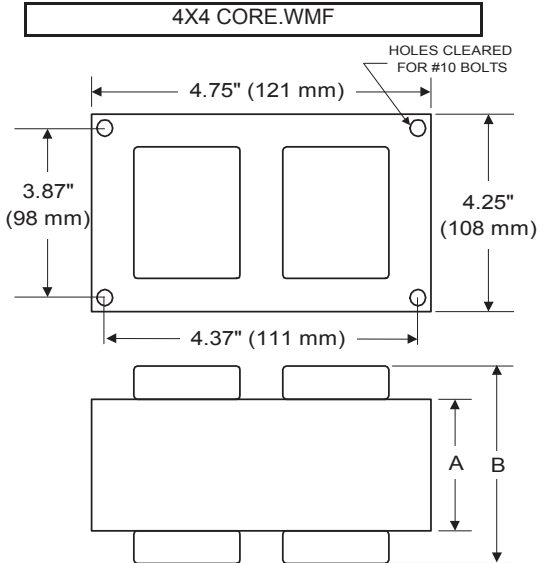
400W M59

Metal Halide

V90E6450

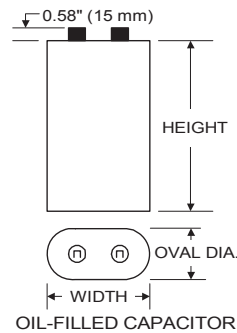
60 Hz CWI C&C

Input Volts	120	240
Line Current (Amps)		
Operating	4.05	2.05
Open Circuit		1.60
Starting		0.78
Recommended Fuse (Amps)	11	6
Regulation		
Line Volts	±10%	±10%
Lamp Watts	±7.5%	±7.5%
Temperature Ratings		
Insulation Class	180 (H)	180 (H)
Coil Temperature Code	B	B
Benchtop Coil Rise		
Power Factor (%) HPF	90	90
Input Watts	475 W	475 W
Efficiency		
NOM. Open Circuit Voltage	295	295
Input Voltage At Lamp Dropout		124
Min Ambient Starting Temp	-20°F/-30°C	-20°F/-30°C
60 HZ TEST PROCEDURES		
High Potential Test (Volts)		
1 Minute	2,000 V	2,000 V
1 Second	2,500 V	2,500 V
Open Circuit Voltage Test (V)	265 - 325	265 - 325
Short Circuit Current Test (A)		
Secondary Current		
Min	.00	.00
Max	.00	.00
Input Current		
Min	0.70	0.35
Max	1.10	0.55
CORE and COIL Specifications		
Dimension (A)	3.50 in	3.50 in
Dimension (B)	5.50 in	5.50 in
Weight	21.0 lb's	21.0 lb's
Lead Lengths	12 "	12 "
Capacitor Requirement		
Microfarads	19.5 uf	19.5 uf
Volts (Min)	520 V	520 V



Capacitor: ACB2280V Ignitor: None

Microfarads: 19.5 uf
 Volts (Max): 520 V
 Case Temp (Max): 100 °C
 Height (Max): 4.03 in
 Dia (Max): 1.97 in
 Oval Width (Max): 2.97 in



This Ballast Does Not Require An Ignitor

Ordering Information Add Suffix for options
 C - With Oil-Filled Capacitor
 CB - With Oil-Filled Capacitor and Welded Bracket
 B - With Welded Bracket, no Capacitor
 K - Prewired, with Oil-Filled Capacitor and Bracket Kit

Data is based upon tests performed by Venture Lighting in a controlled environment and is representative of relative performance. Actual performance can vary depending on operating conditions. Specifications are subject to change without notice.

08/25/2022 Production Coil Material (PRI/SEC): Cu / Cu



RoHS

