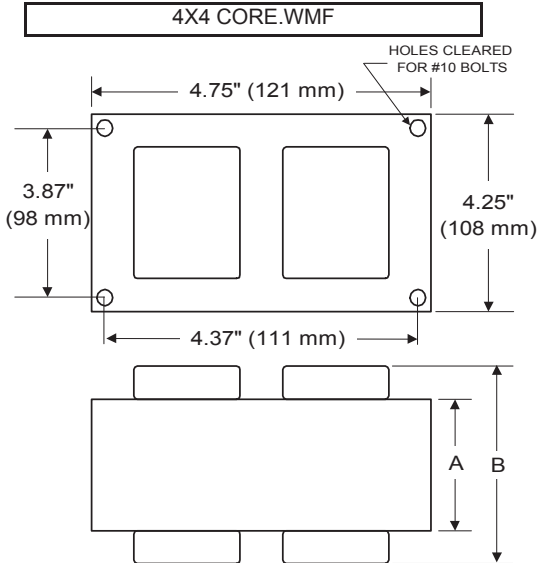




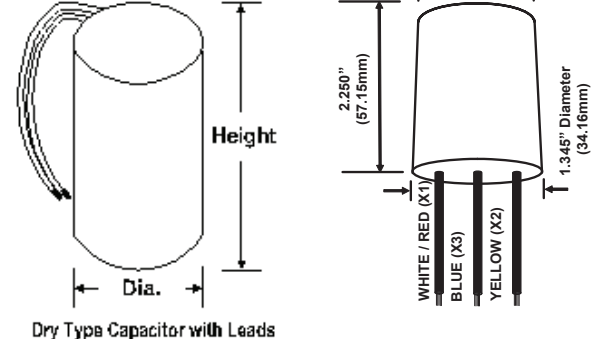
**BALLAST SPECIFICATION**

**350W M131**  
**Pulse Start Metal Halide**  
**V90Y7513T**  
**60 Hz CWA C&C**

Input Volts	480
Line Current ( Amps )	
Operating	0.85
Open Circuit	0.55
Starting	0.65
Recommended Fuse (Amps)	3
Regulation	
Line Volts	±10%
Lamp Watts	±10%
Temperature Ratings	
Insulation Class	180 (H)
Coil Temperature Code	C
Benchtop Coil Rise	80.9
Power Factor (%) HPF	90
Input Watts	398 W
Efficiency	88.0%
NOM. Open Circuit Voltage	250
Input Voltage At Lamp Dropout	300
Min Ambient Starting Temp	-20°F/-30°C*
<b>60 HZ TEST PROCEDURES</b>	
High Potential Test (Volts)	
1 Minute	2,000 V
1 Second	2,400 V
Open Circuit Voltage Test (V)	225 - 275
Short Circuit Current Test (A)	
Secondary Current	Min 3.15 Max 3.85
Input Current	Min 0.50 Max 0.75
<b>CORE and COIL Specifications</b>	
Dimension (A)	2.00 in
Dimension (B)	4.10 in
Weight	10.0 lb's
Lead Lengths	12 "
<b>Capacitor Requirement</b>	
Microfarads	24.0 uf
Volts (Min)	330 V



Capacitor:	ACG213	Ignitor:	BVS-041
Microfarads:	24.0 uf	Case Temp (Max):	105 °C
Volts (Max):	330 V	BTL Distance (Max)	2 ft
Case Temp (Max)	100 °C		
Height (Max):	3.68 in		
Dia (Max):	1.61 in		
Oval Width (Max):			

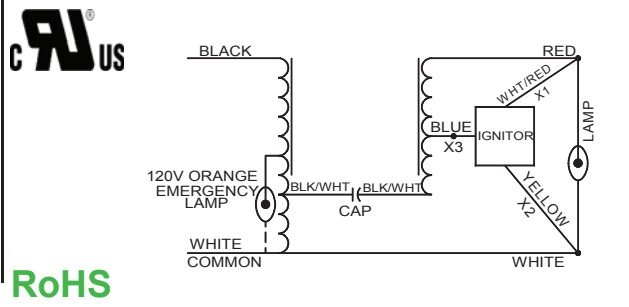


**Ordering Information**    Add Suffix for options  
C - With Dry Capacitor  
CB - With Dry Capacitor and Welded Bracket  
B - With Welded Bracket, no Capacitor  
K - Prewired, with Dry Capacitor and Bracket Kit

\* -40°F/-40°C Min Ambient Starting Temp with Venture Lamp

Data is based upon tests performed by Venture Lighting in a controlled environment and is representative of relative performance. Actual performance can vary depending on operating conditions. Specifications are subject to change without notice.

**08/25/2022    Production**                      Coil Material (PRI/SEC): AI / AI



**RoHS**